

NAME Martin Walther RACE _____ DATE 13/1/14
 TRACK MANNING CITY/COUNTRY Aus TRACK CONDITION Gravel
unsettling

X3 SABRE
SET-UP SHEET

AIR TEMP 25 F C
 LAPS _____
 BEST LAP TIME _____
Track Records in LAP
 TRACK SIZE
 OPEN MEDIUM TIGHT
 TRACK TRACTION
 HIGH MEDIUM LOW

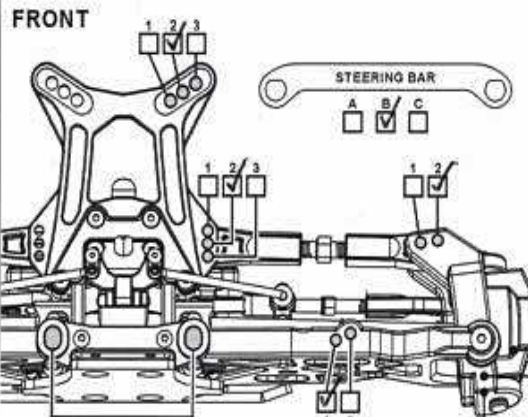
DIFFERENTIAL OIL
 FRONT STD CENTER STD REAR STD
STD 700 Low
 OIL WT.
 FRONT CENTER REAR

CLUTCH
 SHOE BRAND H.N.
 COMPOUND ALUM CARBON
 SPRING BRAND 1.0
 TENSION _____ mm
 CLUTCH SHOES 3 SHOE

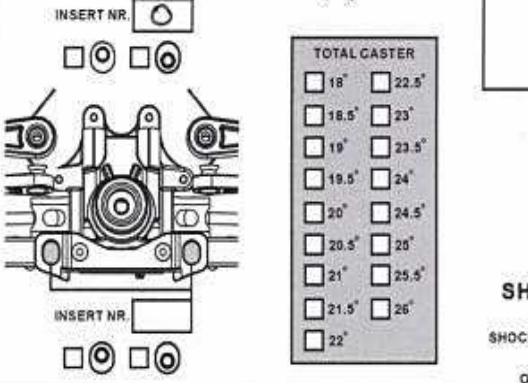
GEARING
 SPUR GEAR 48 T
 PINION GEAR 14 T

TIRES
 FRONT TYPE 1 Beam
 COMPOUND S
 INSERT FOAM _____
 REAR TYPE 1 Beam
 COMPOUND S.
 INSERT FOAM _____

ENGINE
 TYPE 0.5
 PORT _____
 PLUG P3
 NORMAL TURBO
 HEAD CLEARANCE _____
 PIPE
HN 2047
 FUEL BRAND _____



RIDE HEIGHT 28 mm
 SWAY BAR 2.3 mm
 CAMBER ANGLE -2 °
 TOE ANGLE low °
 PLASTIC ALUM



TOTAL CASTER

<input type="checkbox"/> 18°	<input type="checkbox"/> 22.5°
<input type="checkbox"/> 18.5°	<input type="checkbox"/> 23°
<input type="checkbox"/> 19°	<input type="checkbox"/> 23.5°
<input type="checkbox"/> 19.5°	<input type="checkbox"/> 24°
<input type="checkbox"/> 20°	<input type="checkbox"/> 24.5°
<input type="checkbox"/> 20.5°	<input type="checkbox"/> 25°
<input type="checkbox"/> 21°	<input type="checkbox"/> 25.5°
<input type="checkbox"/> 21.5°	<input type="checkbox"/> 26°
<input type="checkbox"/> 22°	

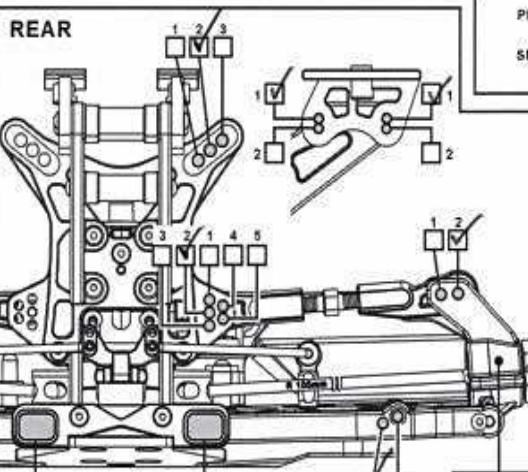
FRONT SPINDLE CARRIERS
 PLASTIC ALUM

STEERING KNUCKLE ARM
 PLASTIC ALUM

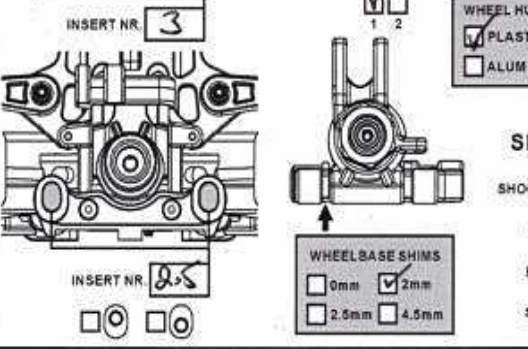
FRONT SPINDLE CARRIERS CASTER
 20°
 22°
 24°

SHOCK FRONT

SHOCK LENGTH _____ mm
 OIL WT. 40
 PISTON 8x1.3 mm
 SPRING BLUE



RIDE HEIGHT 28 mm
 SWAY BAR 2.5 mm
 CAMBER ANGLE -3. °
 PLASTIC ALUM



SHOCK REAR

SHOCK LENGTH _____ mm
 OIL WT. 22.5
 PISTON 8x1.3 mm
 SPRING BLUE