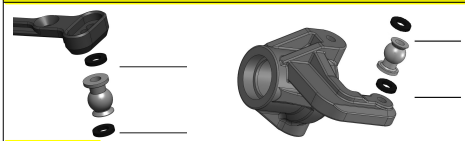


**SETUP SHEET**

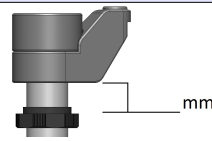
Name: \_\_\_\_\_ Date: \_\_\_\_\_ Event: \_\_\_\_\_

Track Conditions: Outdoor Open Loose/Loamy Dusty High Bite Low Bite Rough  
 Indoor Tight Smooth Hard Packed Wet Dry Med Bite Blue Groove

**BUMPSTEER/ACKERMANN/SERVO SAVER**



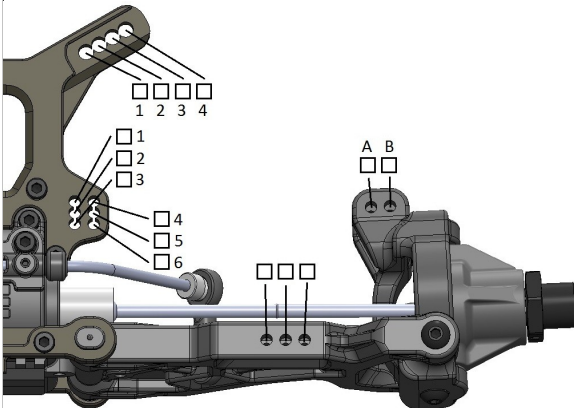
F  
 M  
 R



**SHOCKS**

	Front	Rear
Piston		
Oil		

**FRONT**



FR INNER:  12  11  10

FR OUTER:  1FRWD  0  1BACK

**SUSPENSION**

	Front	Rear
Ride Height		
Camber		
Toe		
Sway Bar		

Bladder		
Spring		
Length/Droop		

**TIRES**

	Front	Rear
Brand		

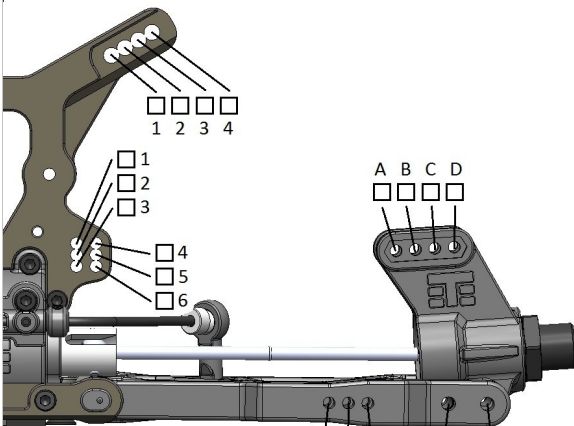
**WING**

Brand:

Type:

Compound		
Insert		
Wheel		

**REAR**



R INNER:  1  2  3

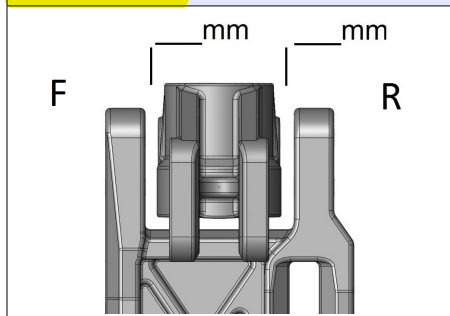
R OUTER:  1.5  2.5  3.5

**BRACES**

Front  Middle  Rear  
 (Front is always recommended)

**Notes:**

**WHEELBASE**



**DIFFS**

Front	Center	Rear

**ELECTRONICS**

ESC: \_\_\_\_\_  
 Battery: \_\_\_\_\_  
 Servo(s): \_\_\_\_\_  
 Radio: \_\_\_\_\_  
 Motor: \_\_\_\_\_

**DRIVETRAIN**

Gear Ratio: \_\_\_\_\_ / \_\_\_\_\_

Pinion  Long Shank  
 Traktion  Clutch  
 Mech. Brake  Motor Brake

Spur:  Metal  Plastic

Shoes: \_\_\_\_\_  
 Springs: \_\_\_\_\_

Radio Notes: \_\_\_\_\_

**NOTES:**

\_\_\_\_\_

\_\_\_\_\_

\_\_\_\_\_